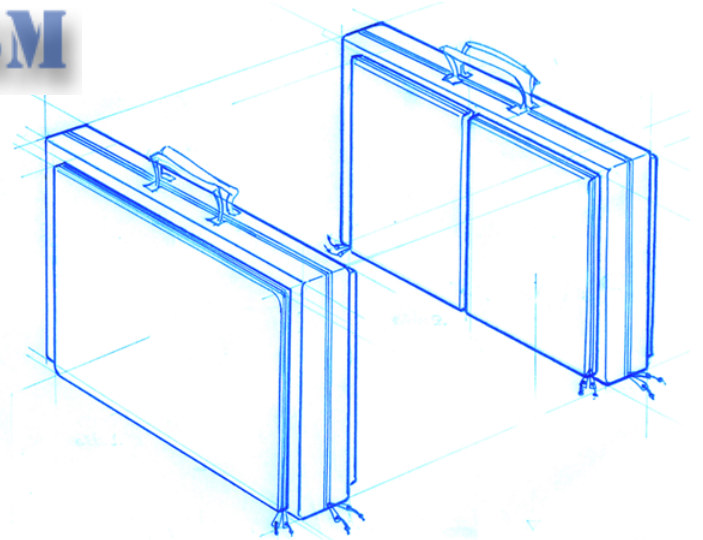


TMACSM

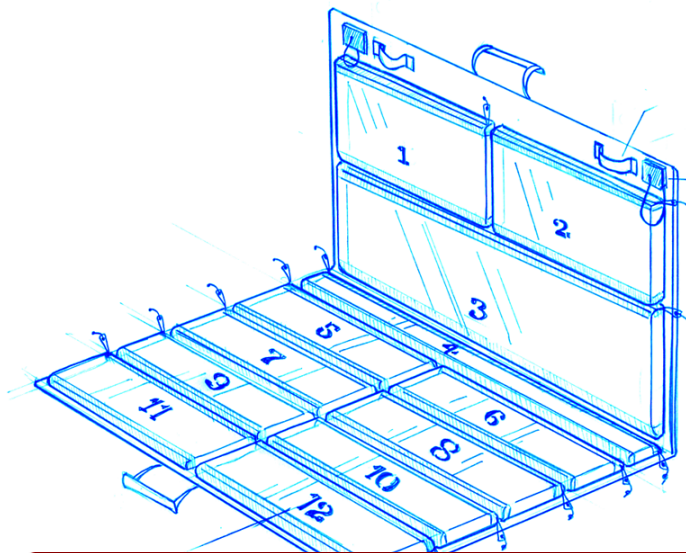
TACTICAL MEDICAL AID CASE



TMAC – Tactical Medical Aid Case
Dimensions: 27”L ; 19 “H ; 6”D
Colors: Tan / Black

The customized medical aid case provides 12 separate, zippered, compartments to house vital trauma supplies to accommodate an entire team of operators. The multi-sized, clear-view compartments allow easy identification of trauma supplies to speed administration of medical assistance. Each compartment has a Velcro backing that secures it to the inside of the case can be removed for easy reloading or sending to IC for re-supply services. There are three exterior pockets with double zipper enclosures that when opened, offer maximum flexibility and storage capacity. The entire case when closed has a rugged double zipper system to easily close and open a loaded TMAC. When opened the TMAC has durable hanging straps and medical tape dispensing hoops strategically located for easy access. With the supplied versa-straps the case can be secured to virtually any structure, vehicle or vessel. The case is available in both tan and black ballistic nylon to provide both pharmaceutical supply storage as well as bandage and wrap storage.

CLEAR-VIEW COMPARTMENTS **ALLOW EASY IDENTIFICATION OF TRAUMA SUPPLIES** **TO SPEED ADMINISTRATION OF MEDICAL ASSISTANCE**



ORDERING INFORMATION AND CONTACTS



consult-ic.com 866.ic.today ext. 101 medical@consult-ic.com
international shipping available